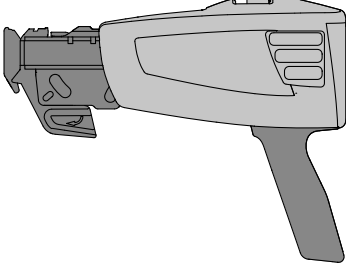



= 1x



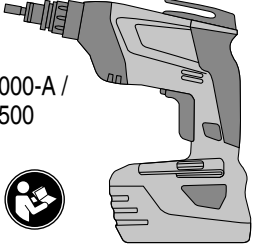
SMD 57

= 1x


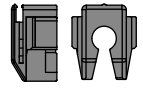
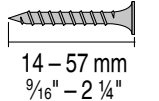


S-SY PH2 116/4 – 1/2"


1



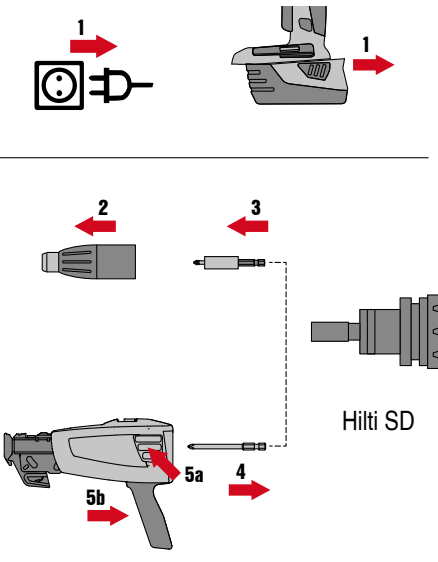
SD 5000 / SD 5000-A /
SD 6000 / SD 2500

14 – 57 mm
9/16" – 2 1/4"



2



1

2

3

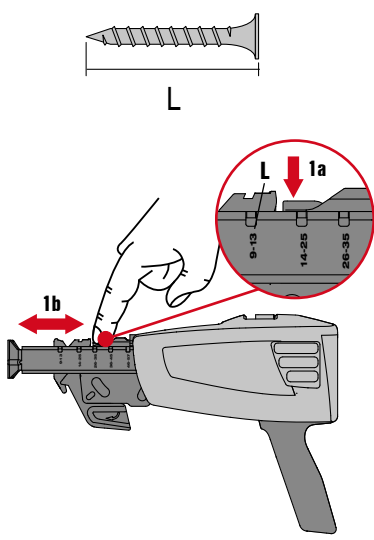
4

5a

5b

Hilti SD

3



L

1a

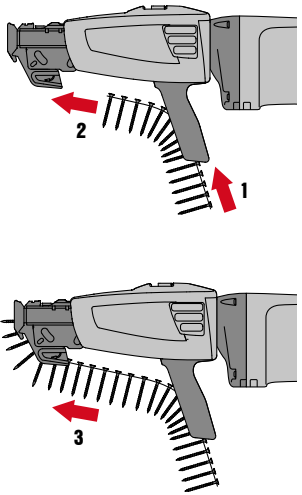
1b

9-13

14-25

26-35

4

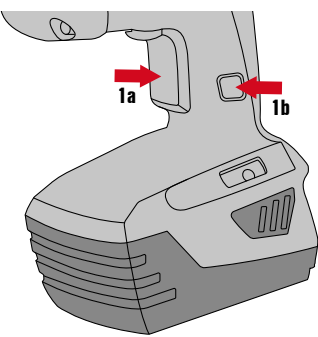


1

2

3

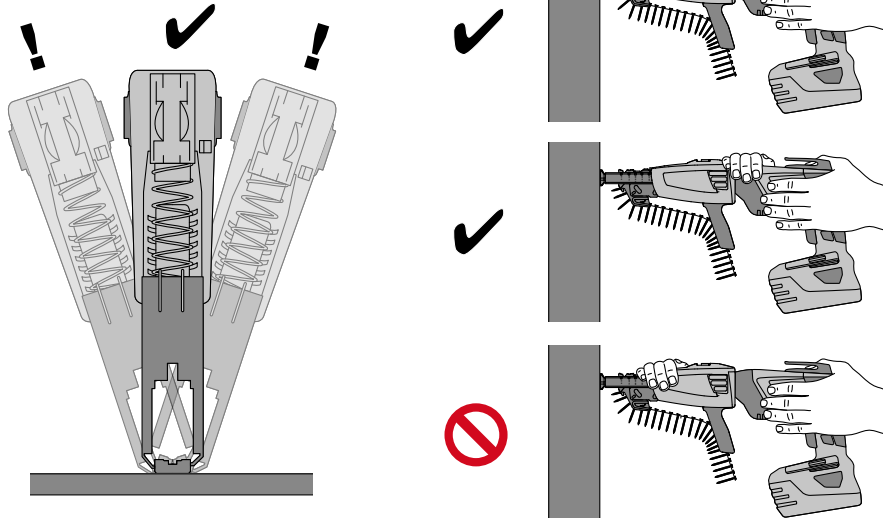
5



1a

1b

6



!

✓

!

✓

✓

✓

✗

